



GANDHI SCHOOL OF
ENGINEERING, BHABANDHA, BERHAMPUR

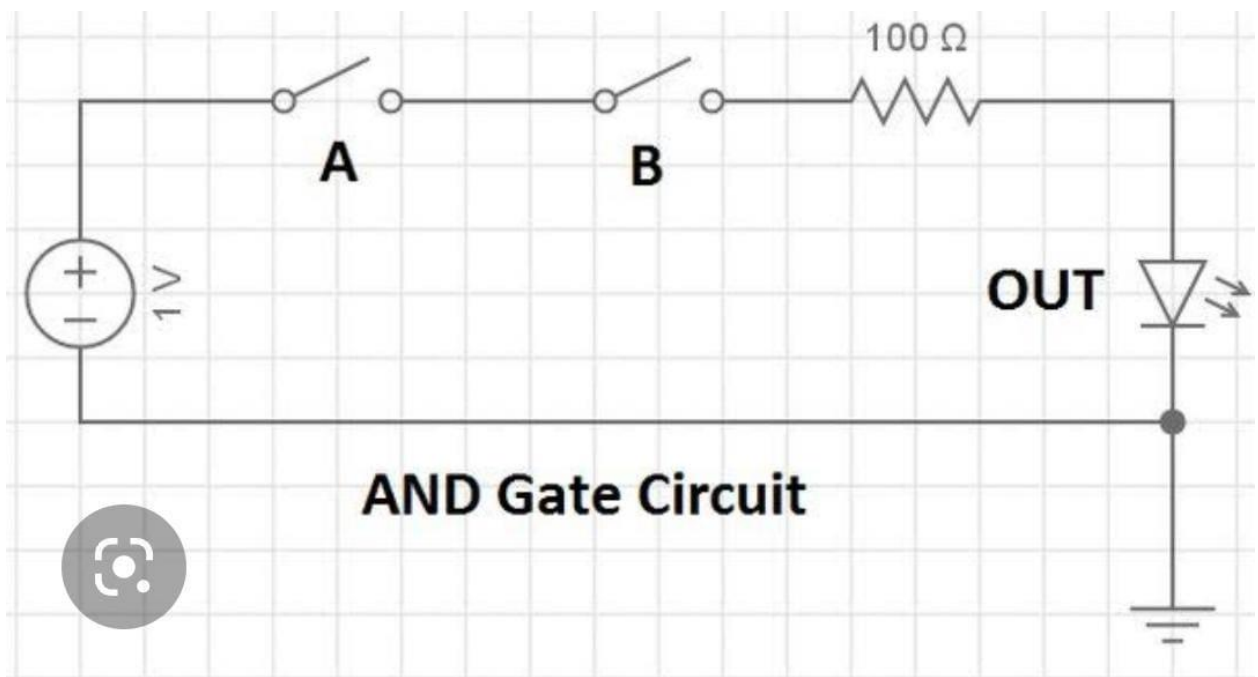
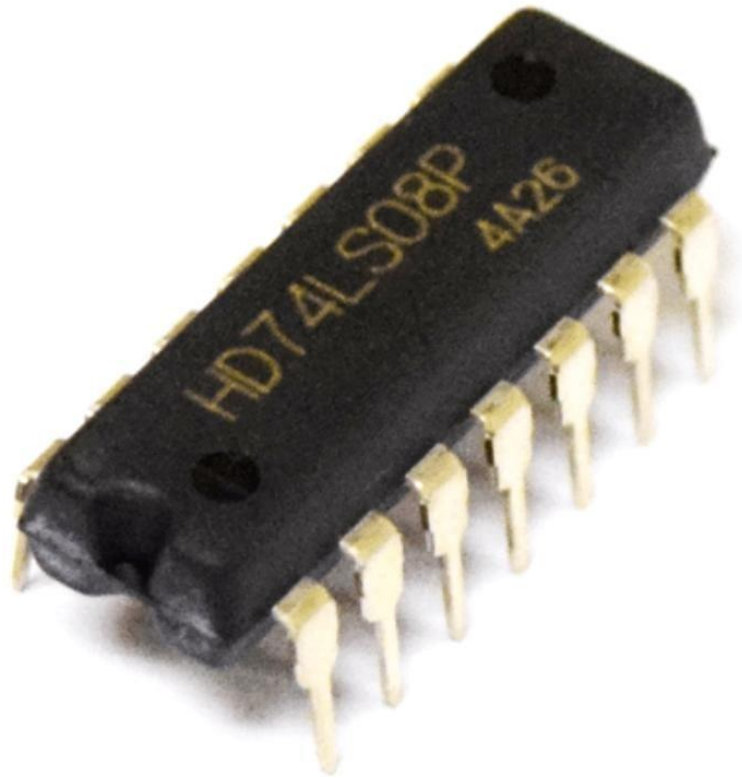
TEACHING AND LEARNING MATERIAL

**SUBJECT: DIGITAL ELECTRONICS
SEMESTER: 3RD**

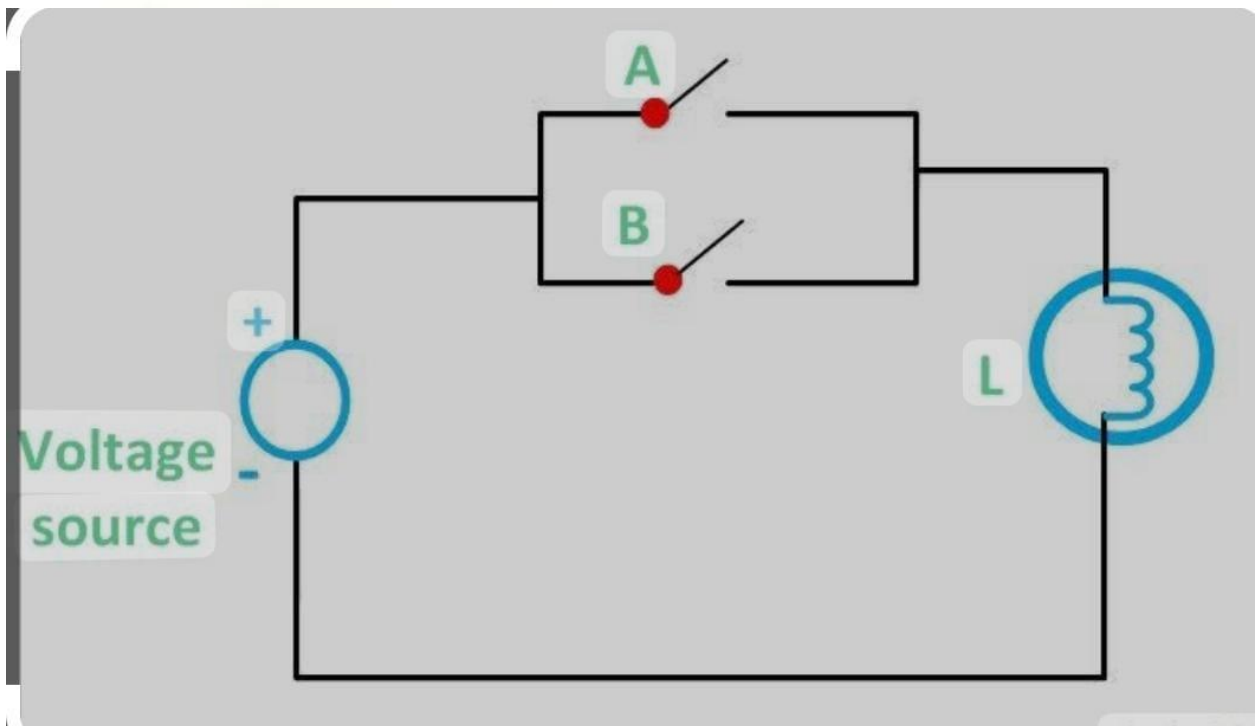
PREPARED BY: PRABHAMAYEE ACHARYA

UNIT-1

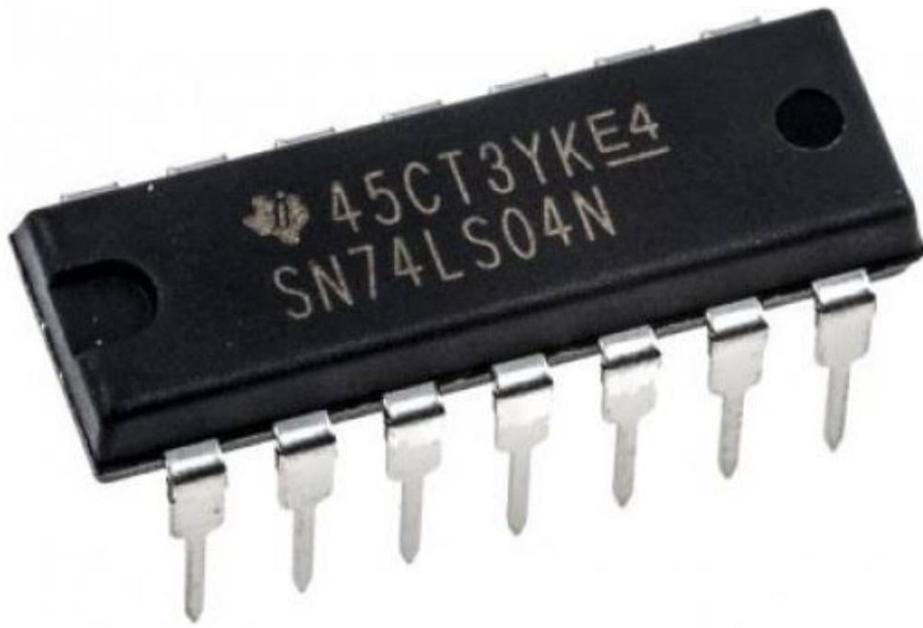
2-input AND gate



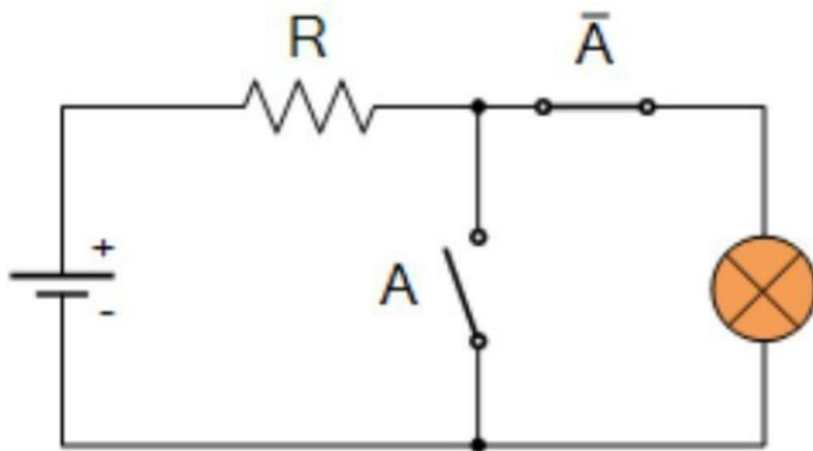
2-input OR gate



NOT gate

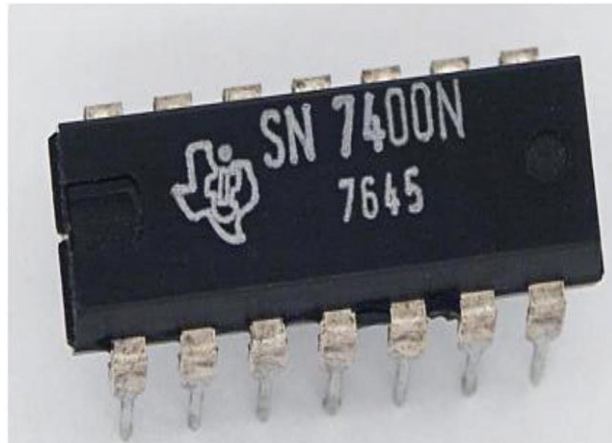
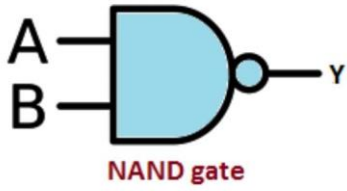
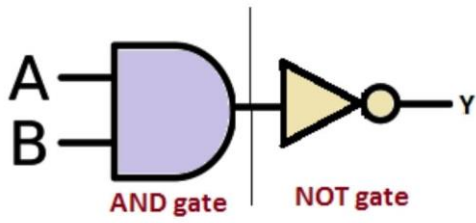


NOT Gate

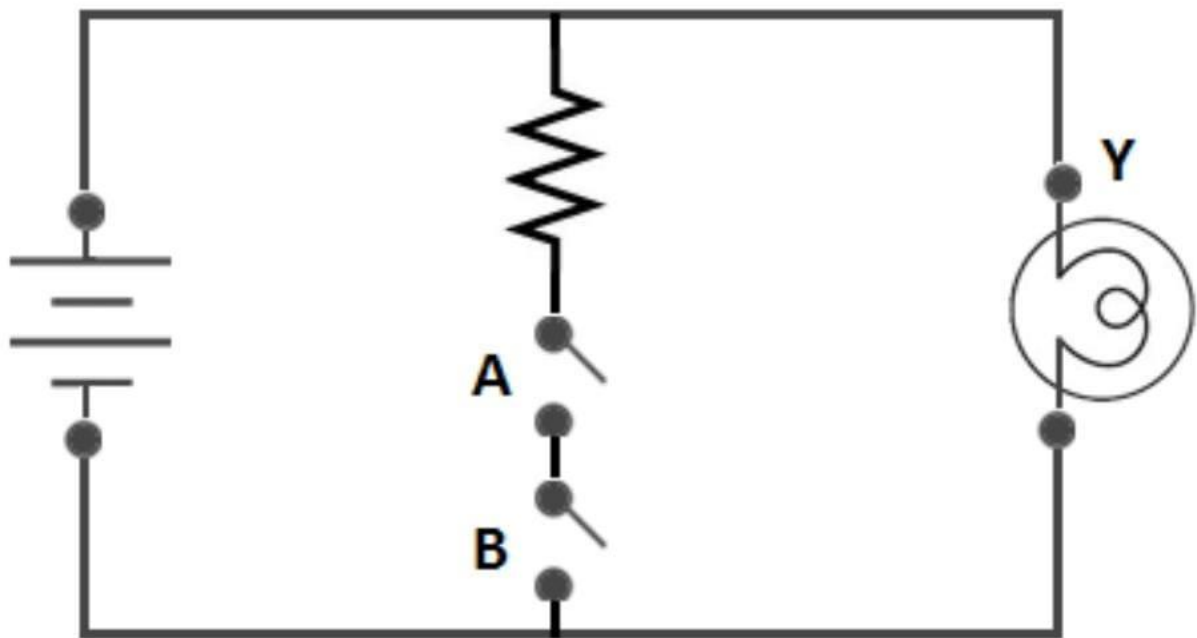


Switch A - Open = "0", Lamp - ON = "1"
Switch A - Closed = "1", Lamp - OFF = "0"

NAND GATE



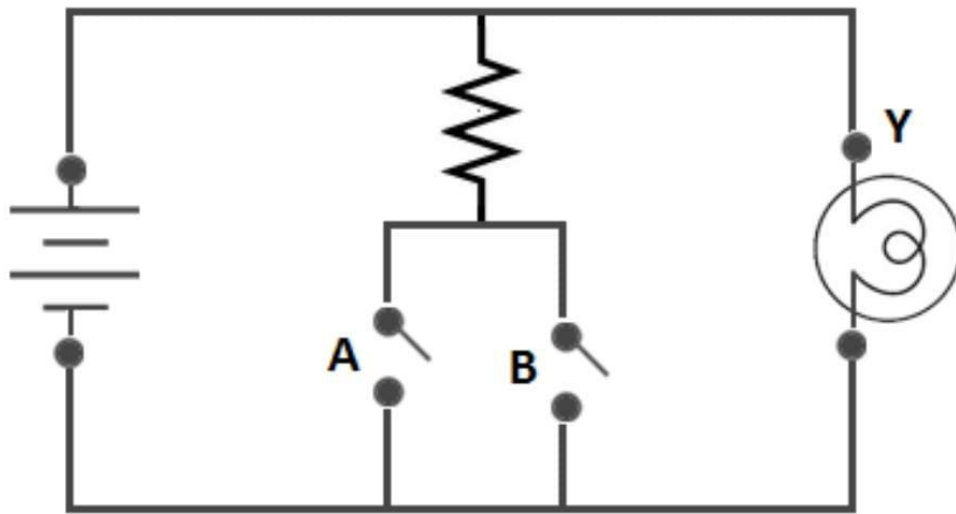
NAND GATE



Electrical Circuit

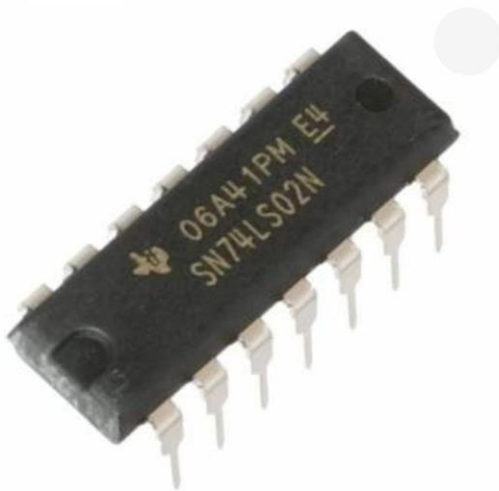
NOR GATE

NOR GATE

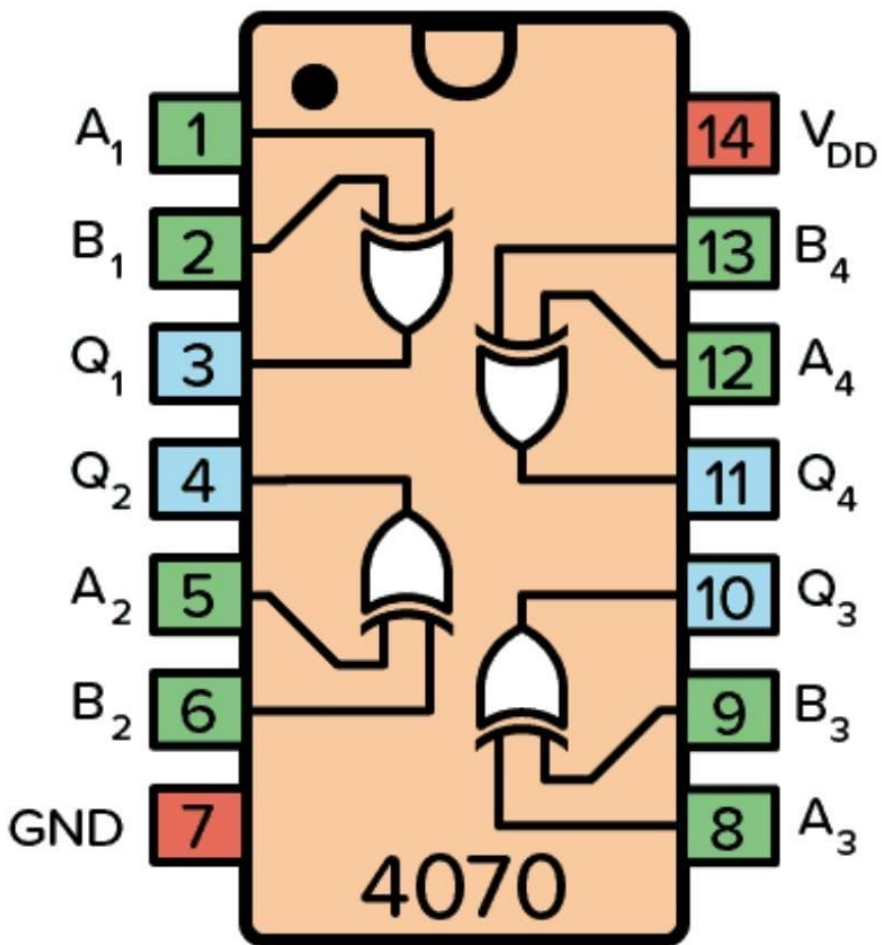
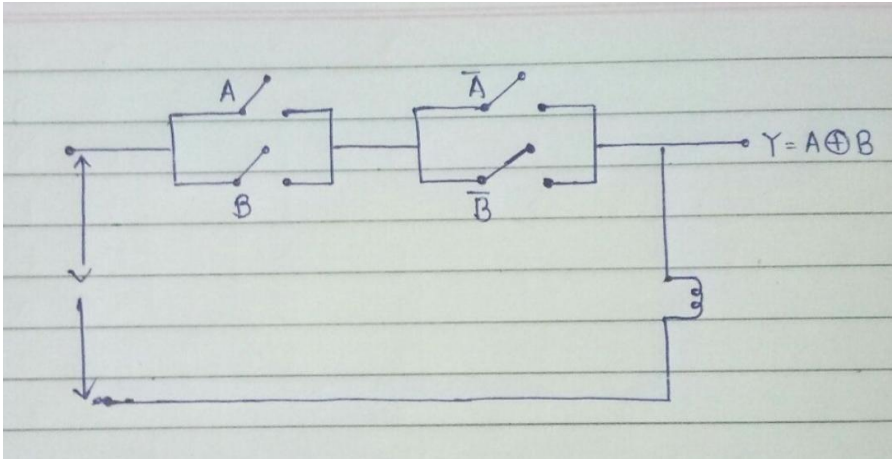


Electrical Circuit

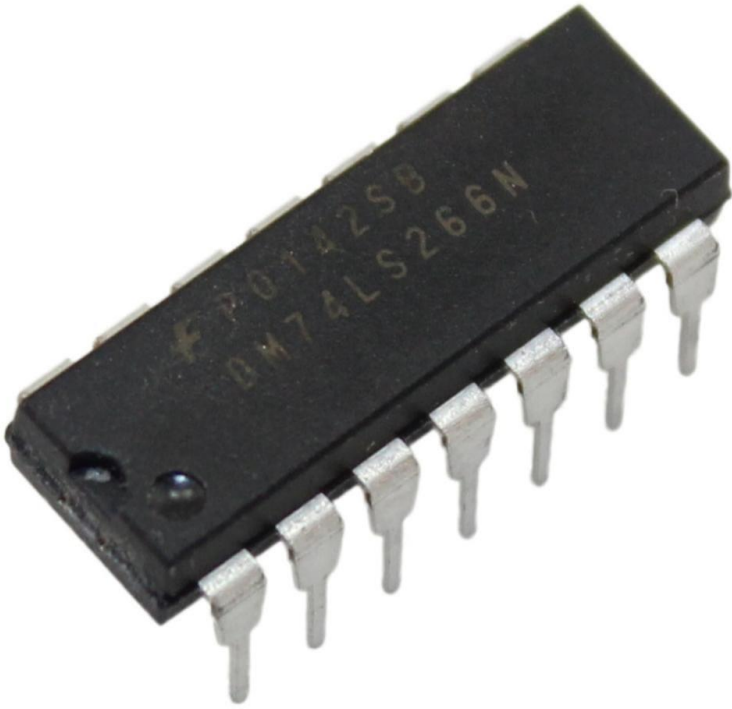
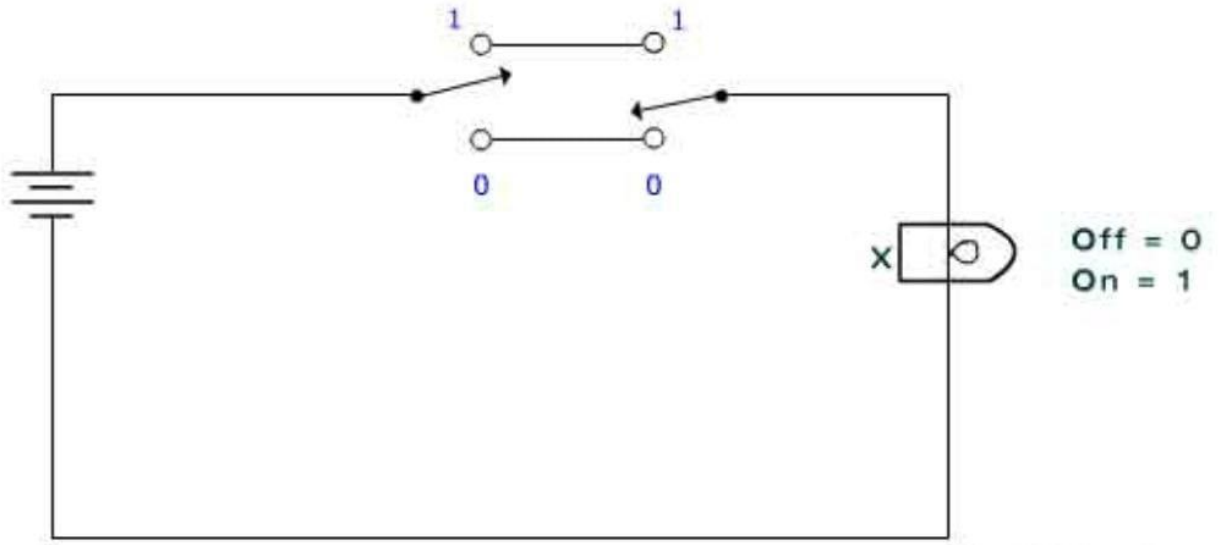
NOR Gate DIP14



EX-OR GATE

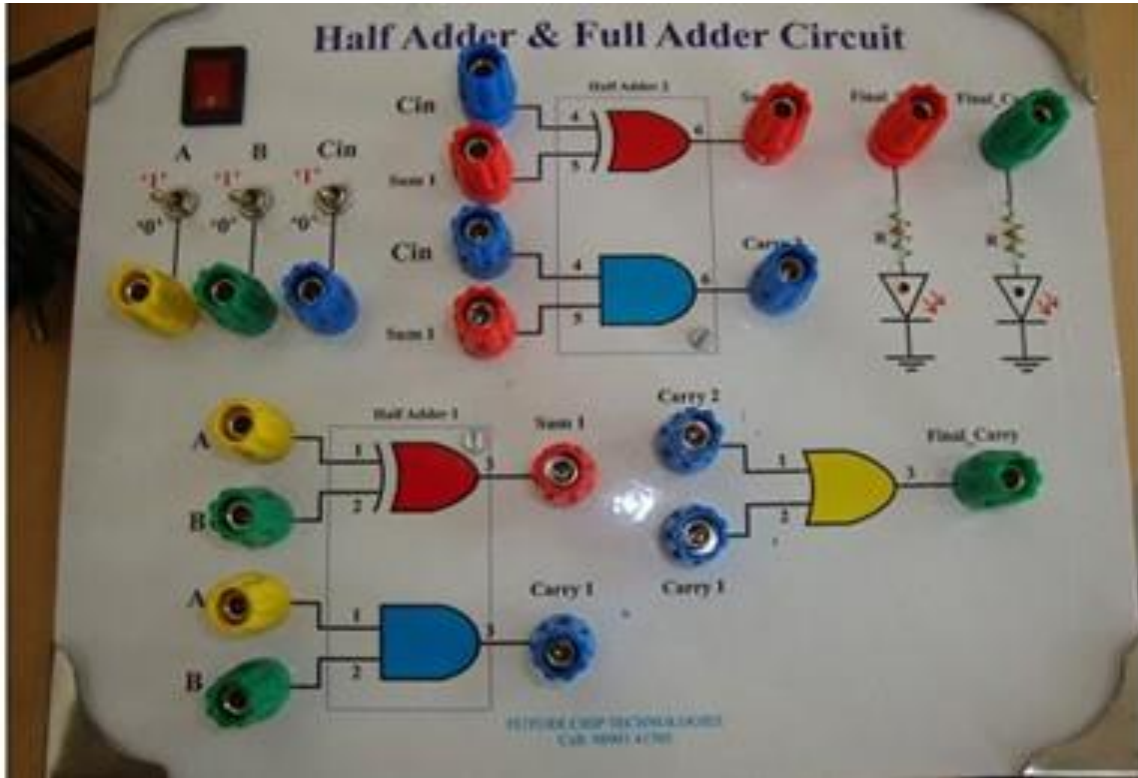


EX-NOR GATE

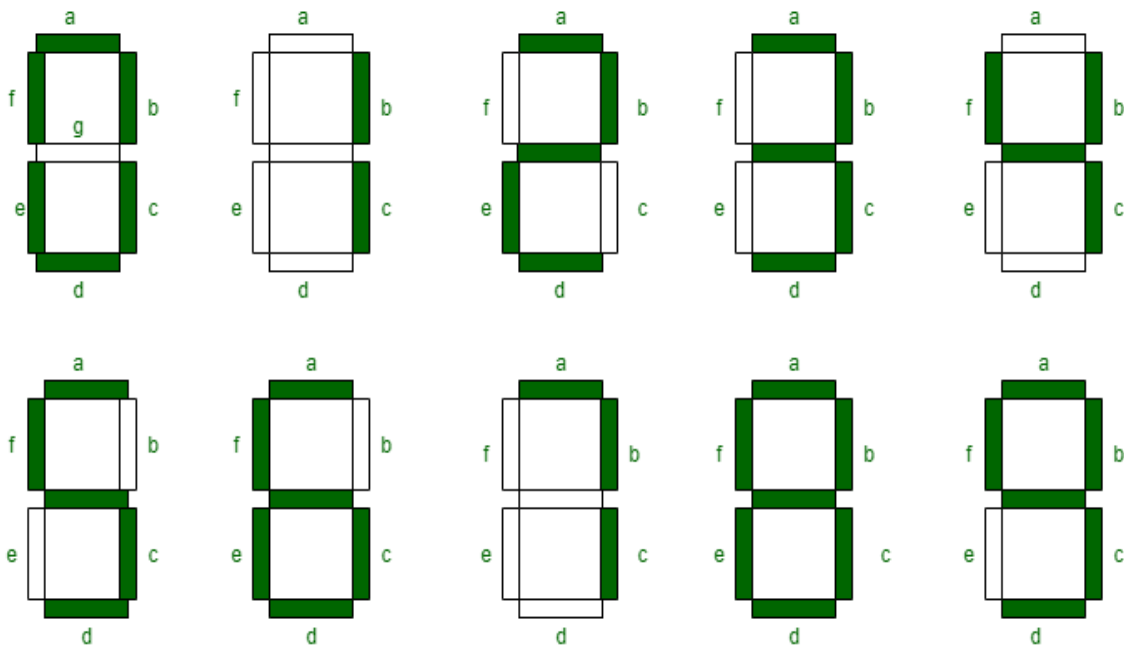
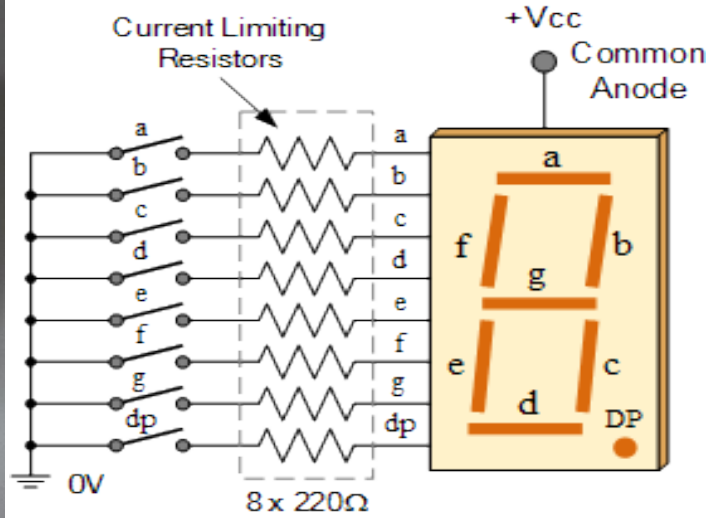
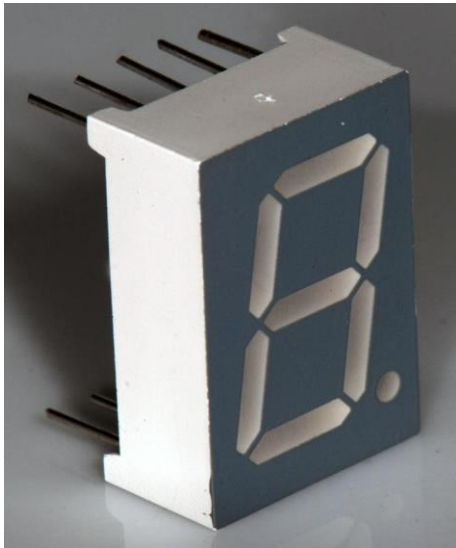


UNIT-2

HALF ADDER



7 SEGMENT DISPLAY



UNIT-3

ROM



PLD

